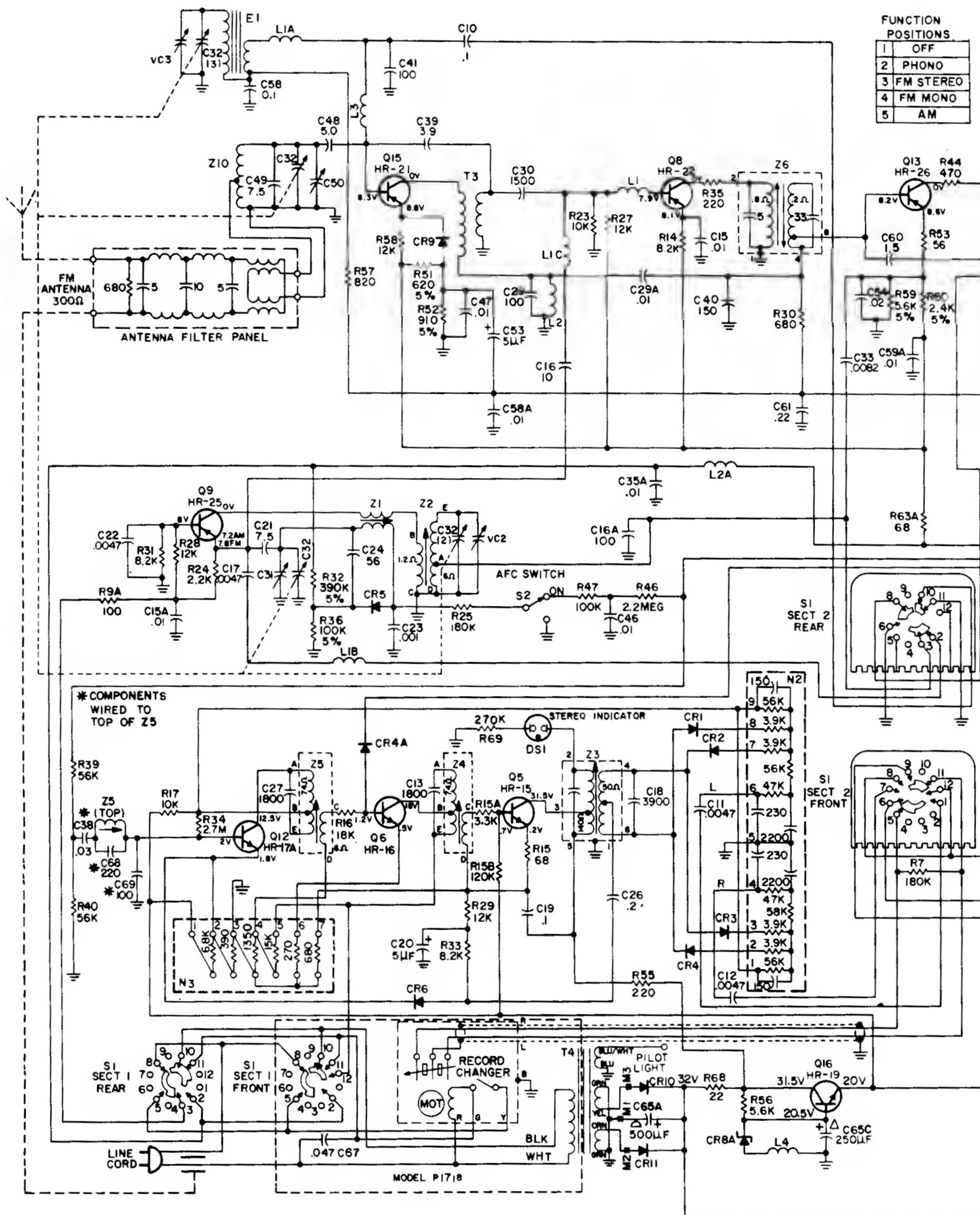


PHILCO Tuner-Amplifier Chassis P10ST used in Models P1002 and P1718



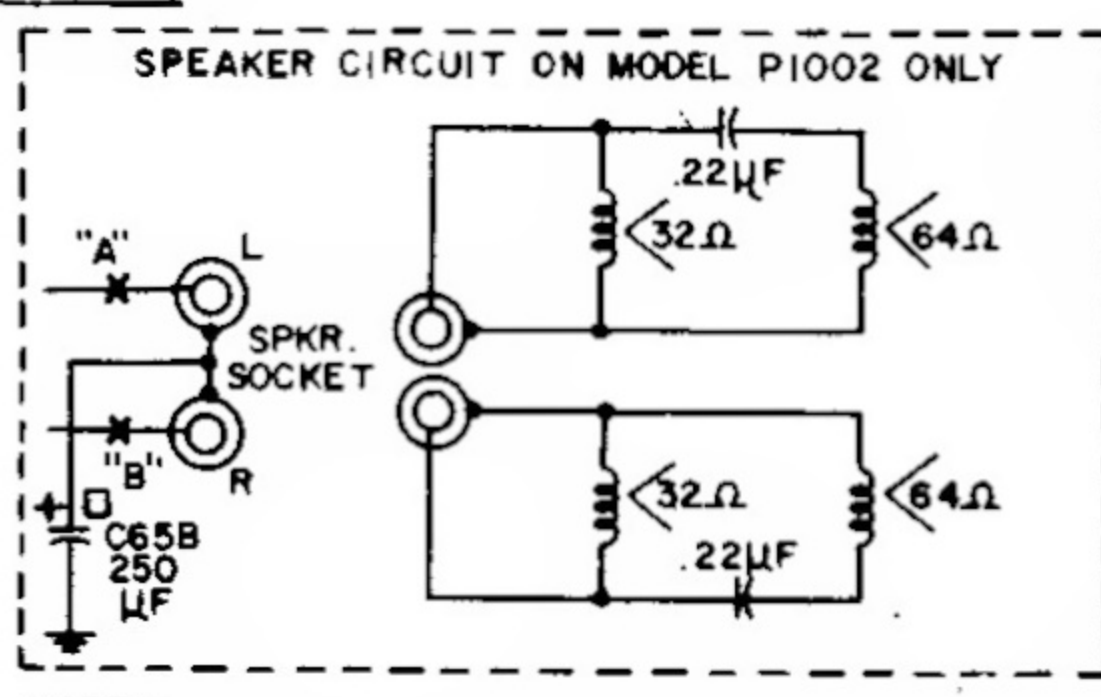
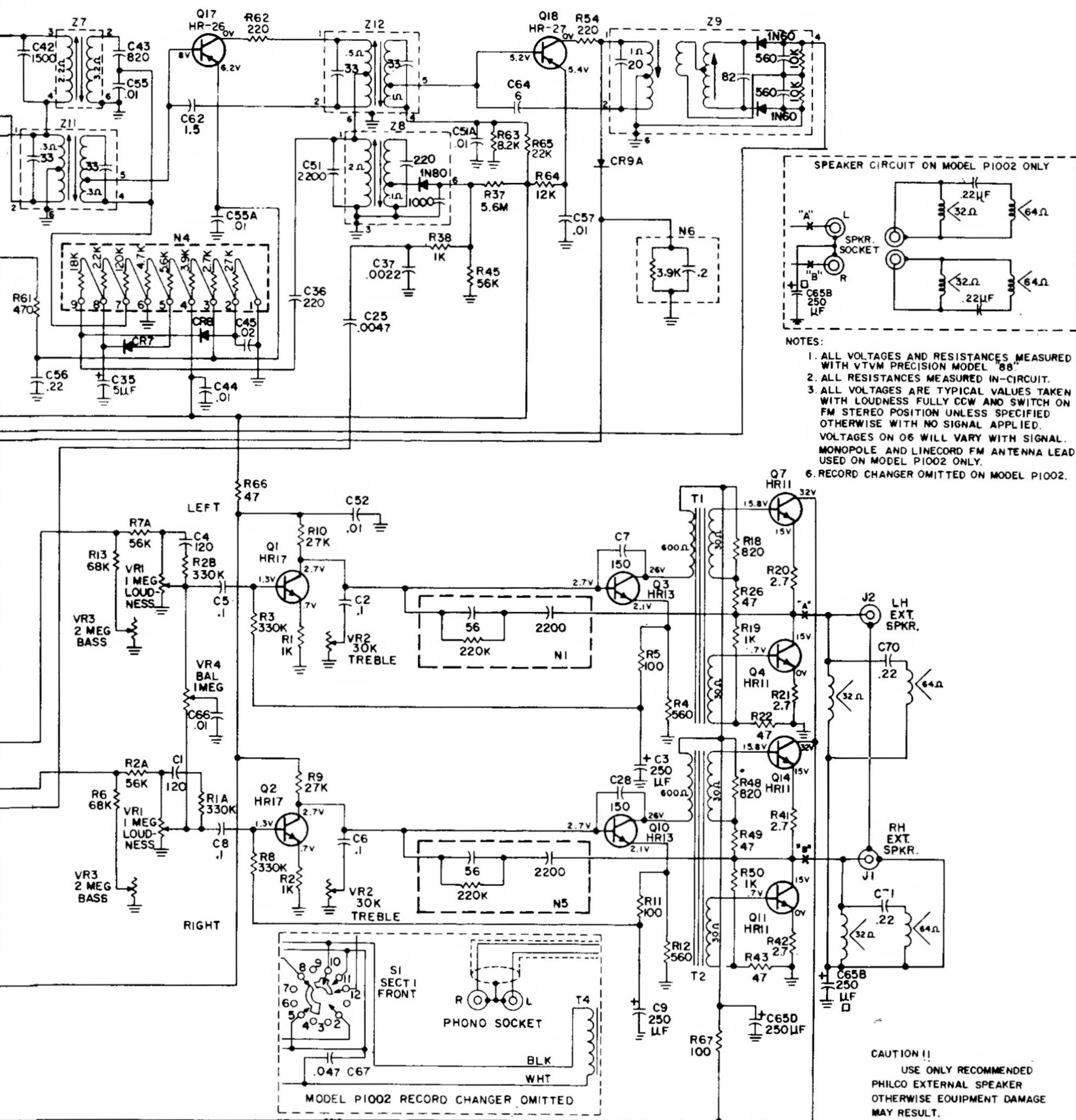
FUNCTION POSITIONS

1	OFF
2	PHONO
3	FM STEREO
4	FM MONO
5	AM

CHASSIS REMOVAL - P10ST, P25ST,

1. Disconnect line cord and remove back.
2. Disconnect speaker cables, phono power cable, phono input cable and bin light when used.

3. Remove hold-down screws at rear of chassis.
4. Remove screws inside of cabinet at corners of front bezel.
5. Remove screws holding EXT. SPKR. JACK PLATE to cabinet.
6. Remove chassis from front of cabinet; in drop-in models lift lid then lift chassis up and out of cabinet.

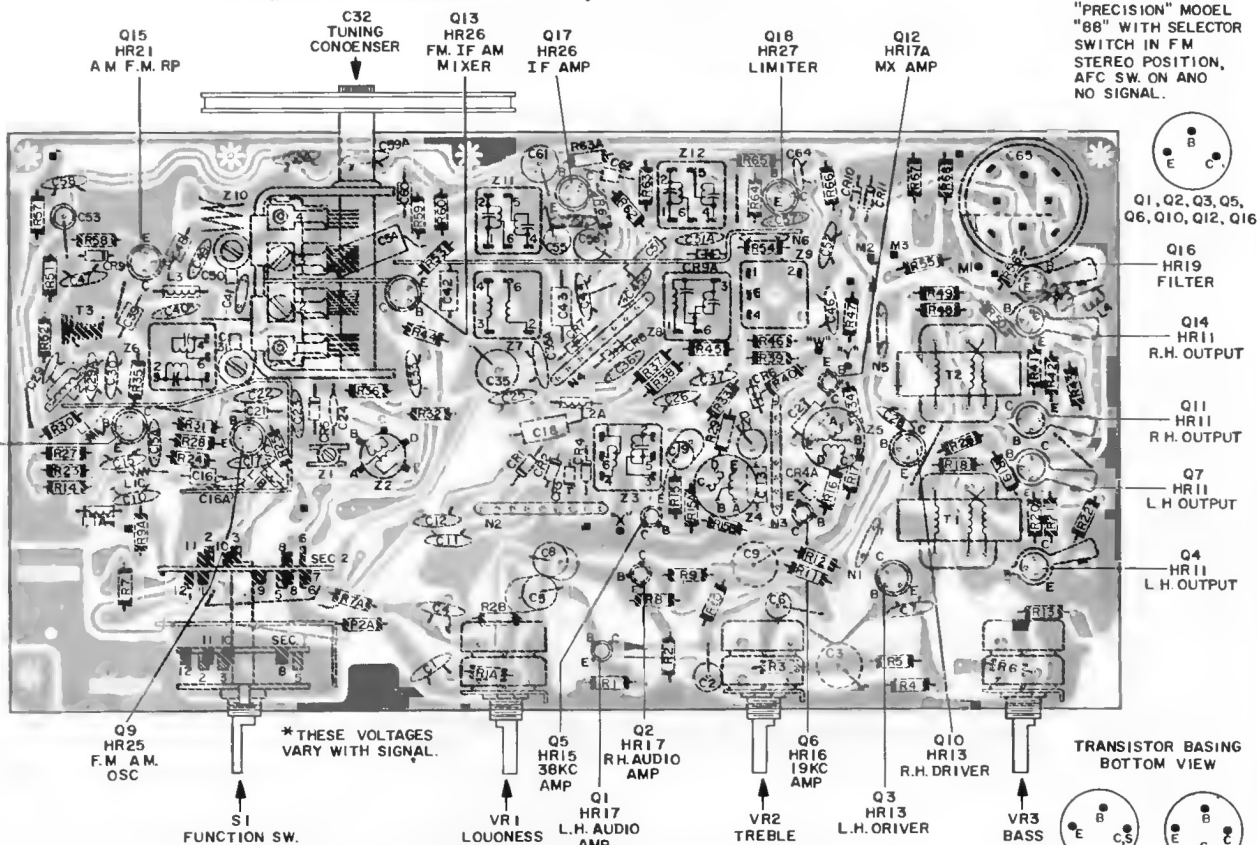


NOTES:  
 1. ALL VOLTAGES AND RESISTANCES MEASURED WITH VTVM PRECISION MODEL '88'.  
 2. ALL RESISTANCES MEASURED IN-CIRCUIT.  
 3. ALL VOLTAGES ARE TYPICAL VALUES TAKEN WITH LOUDNESS FULLY CCW AND SWITCH ON FM STEREO POSITION UNLESS SPECIFIED OTHERWISE WITH NO SIGNAL APPLIED. VOLTAGES ON Q6 WILL VARY WITH SIGNAL.  
 4. MONOPOLE AND LINECORD FM ANTENNA LEAD USED ON MODEL P1002 ONLY.  
 5. RECORD CHANGER OMITTED ON MODEL P1002.

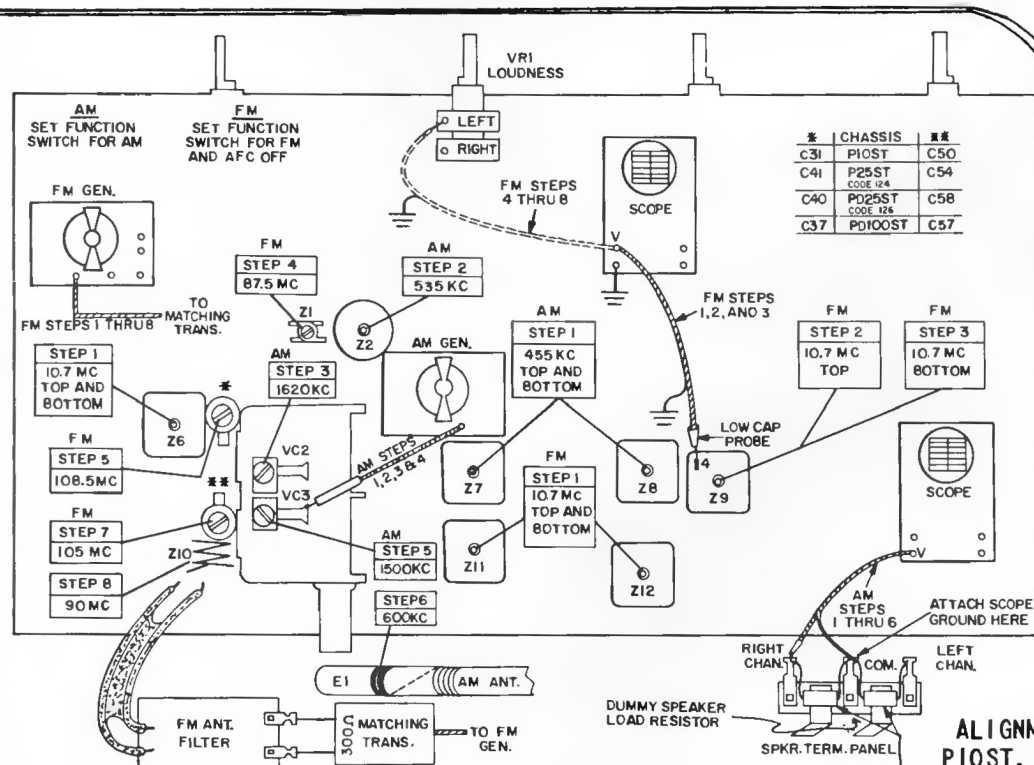
CAUTION !!  
 USE ONLY RECOMMENDED PHILCO EXTERNAL SPEAKER OTHERWISE EQUIPMENT DAMAGE MAY RESULT.

# PHILCO Chassis P10ST, continued

ALL VOLTAGES MEASURED WITH VTVM "PRECISION" MODEL "66" WITH SELECTOR SWITCH IN FM STEREO POSITION, AFC SW. ON AND NO SIGNAL.



Bottom View - Top Component Location P10ST Chassis



TYPICAL VOLTAGES				
Q	E	B	C	
1	7	1.3	2.7	
2	7	1.3	2.7	
3	2.1	2.7	2.6	
4	0	7	1.5	
5	2	.7	31.5	
6	* 5	* 1.2	1.8	
7	1.5	15.8	3.2	
8	8	1.7	0	
9	7	8	0	
10	2.1	2.7	2.6	
11	0	.7	1.5	
12	1.8	2	12.5	
13	8	6	2	0
14	1.5	15.8	3.2	
15	8.6	8	3	0
16	2.0	20.5	31.5	
17	8.2	8	0	
18	5.4	5.2	0	

ALIGNMENT INFORMATION  
P10ST, P25ST, PD25ST, &  
PDI00ST CHASSIS